

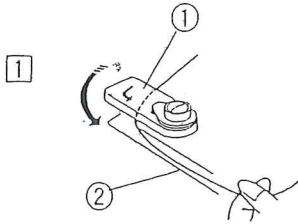
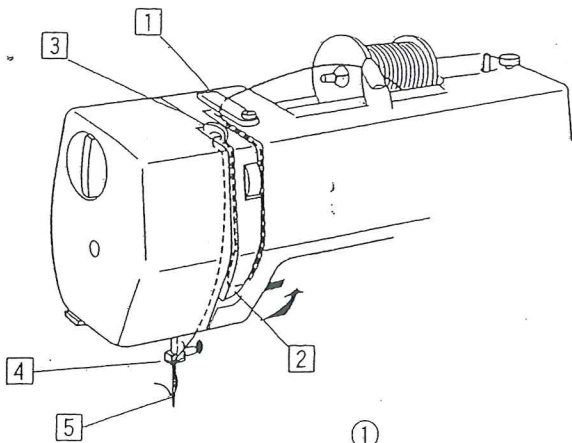
Threading the Machine - note direction of thread on spool.

To set the needle thread:

Raise the thread take-up lever to the highest position by turning the handwheel.

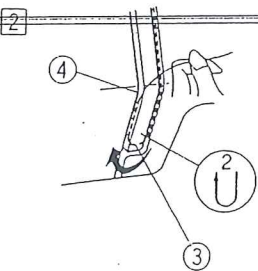
* Raise the presser foot. ←

↑
Very important!



1 Draw the thread from the spool and pass it under the thread guide. Then draw it down along the right channel.

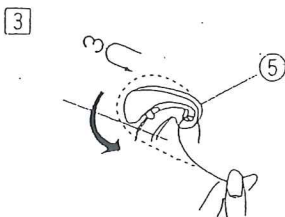
- 1 Thread guide
- 2 Right channel



2 Draw the thread up around the bottom of the thread guide plate.

Pull the thread up along the left channel

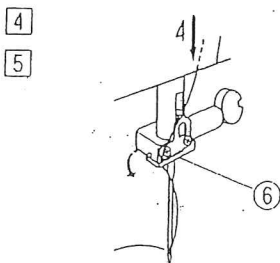
- 3 Thread guide plate
- 4 Left channel



3 Firmly draw the thread from right to left over the thread take-up lever and down into the take-up lever eye.

- Pull past spring into front of take up lever *

- 5 Thread take-up lever



4 Draw the thread down along the left channel and slip the thread behind the needle bar thread guide from the left.

- 6 Needle bar thread guide

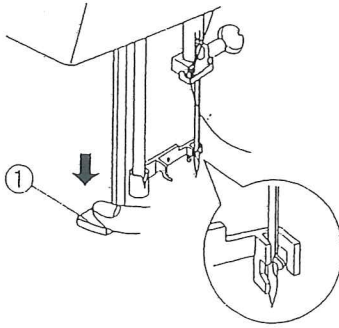
5 Pass the thread through the needle eye from the front or use the needle threader (refer to the next page).

* Safety tip:

If you are worried about working in close to the needle, pull out the handwheel to keep the needle from engaging. Remember to push it back in when you are finished threading.

Needle threader

1

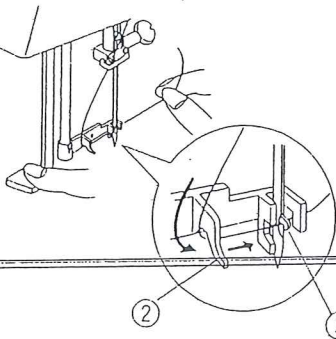


- 1 Raise the needle to its highest position and lower the presser foot. Push down the needle threader knob as far as it will go.

The hook comes out through the needle eye from behind.

① Threader knob

2

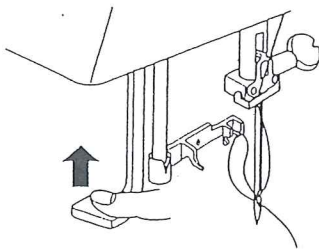


- 2 Draw the thread from the left around the guide and under the hook.

② Guide

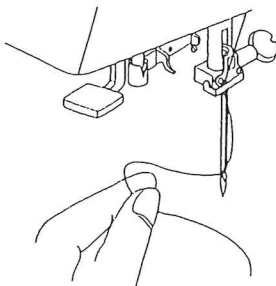
③ Hook

3



- 3 Release the knob slowly while holding the thread end with your hand. A loop of the thread is pulled up through the needle eye.

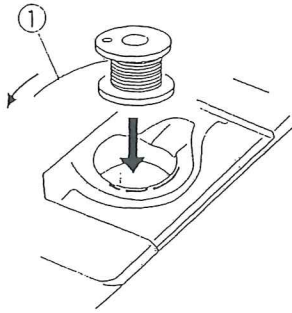
4



- 4 Pull out the end of the thread through the needle eye.
with your right hand,
- 5.- Now release the threader knob.

Inserting the bobbin

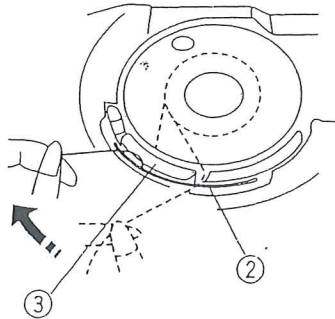
1



1 Place the bobbin in the bobbin holder with the thread running off as illustrated.

① Thread *- must go counter clockwise **
like a P-bobbin
- thread

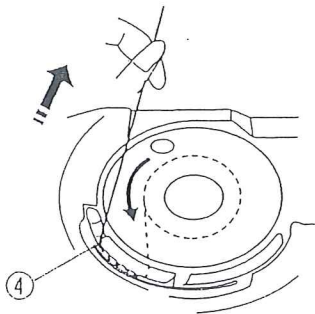
2



2 Guide the thread into the front notch on the front side of the bobbin holder. Draw the thread to the left, sliding it between the tension spring blades.

② Front notch
 ③ Tension spring blade *- must go in to tension spring **

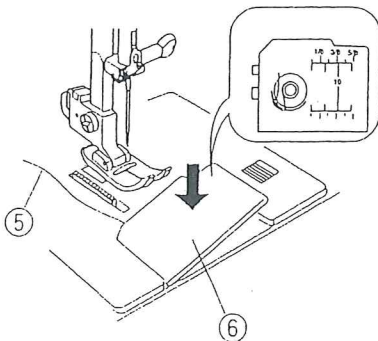
3



3 Continue to draw the thread lightly until the thread slips into the side notch.

④ Side notch

4



4 Pull out about 4" (10 cm) of thread. Attach the hook cover plate. Check the threading by referring to the chart shown on the hook cover plate.

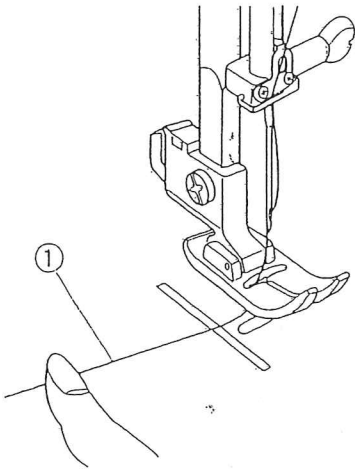
⑤ Thread
 ⑥ Hook cover plate

- Don't put the plate on yet!

in

Drawing up the Bobbin Thread

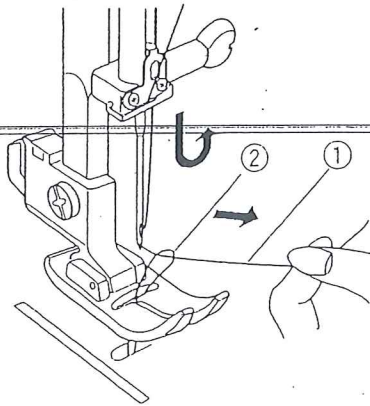
1



- 1 Raise the presser foot and hold the needle thread lightly with your left hand.

① Needle thread

2



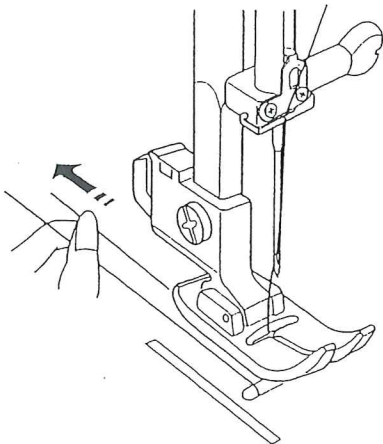
- 2 Turn the handwheel slowly toward you one complete turn. Bring the bobbin thread up by pulling the needle thread as illustrated.

① Needle thread

② Bobbin thread

- Pull up the loop until you have the thread (bobbin) end.

3



- 3 Pull 4" (10 cm) of both threads back and under the presser foot.

4) Now put the plate back on.