

BRAND: X BRAND NAME

DESIGNER: X NAME

DESCRIPTION: WOMENS JEAN

SEASON: F/W19

DATE: 2018.01.01

MAIN FABRIC: DENIM

STYLE NAME: SKINNY JEAN

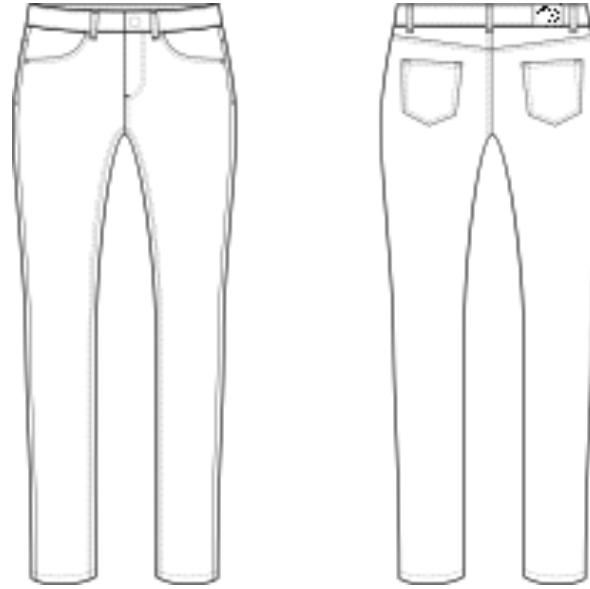
STYLE #: 1234

SIZE RANGE & [SAMPLE SIZE]: 26 27 28 [29] 30 31 32

FABRIC SWATCH



SKETCH



BILL OF MATERIALS

ITEM #	DESCRIPTION	COLOR	QTY	CODE	SUPPLIER
A	SGENE DENIM, 99% COTTON 1% SPANDEX, 11.5 OZ	SEE PAGE 5			CONE MILLS NORTH CAROLINA
B	HERRINGBONE WEAVE POCKETING FABRIC, 70% POLYESTER 30% COTTON, 105GSM	NATURAL			FTY SOURCE
C	YKK CORE METAL 4.5" CLOSED ZIP, GSn8 SLIDER, TAPE 7/16" WIDE	ANTIQUE COPPER	1		YKK
D	17mm ENGRAVED, DIE CAST, FLAT BUTTON,	ANTIQUE COPPER	1		ABC COMPANY
E	9mm LOGO ENGRAVED FLAT NIPPLE RIVET	ANTIQUE COPPER	2		ABC COMPANY
F	1.5" SQUARE PATCH ENGRAVED, PREMIUM WATERPFROOF LEATHER	DARK BROWN	1		FTY SOURCE
G	1 x 1.5" DOUBLE SIDED WOVEN EDGE SATIN THERMAL PRINT, SONIC CUT	WHITE	1		LABELS INC.
H	T-60 SPUN POLY (SEE P5 FOR COLORS) 100% POLYESTER	DTM			FTY SOURCE

BRAND: X BRAND NAME

DESIGNER: X NAME

DESCRIPTION: WOMENS JEAN

SEASON: F/W19

DATE: 2018.01.01

MAIN FABRIC: DENIM

STYLE NAME: SKINNY JEAN

STYLE #: 1234

SIZE RANGE & [SAMPLE SIZE]: 26 27 28 [29] 30 31 32



A



B



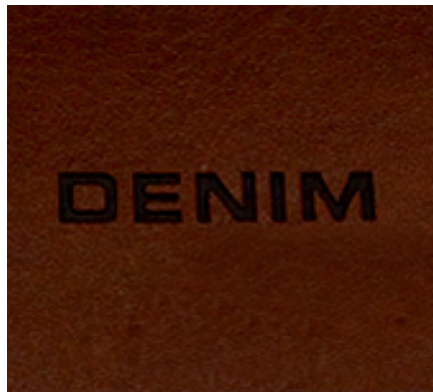
C



D



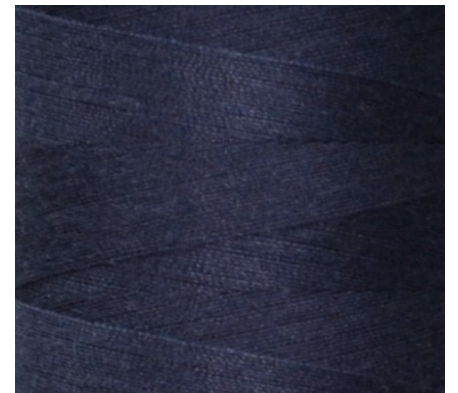
E



F



G



H

BRAND: X BRAND NAME

DESIGNER: X NAME

DESCRIPTION: WOMENS JEAN

SEASON: F/W19

DATE: 2018.01.01

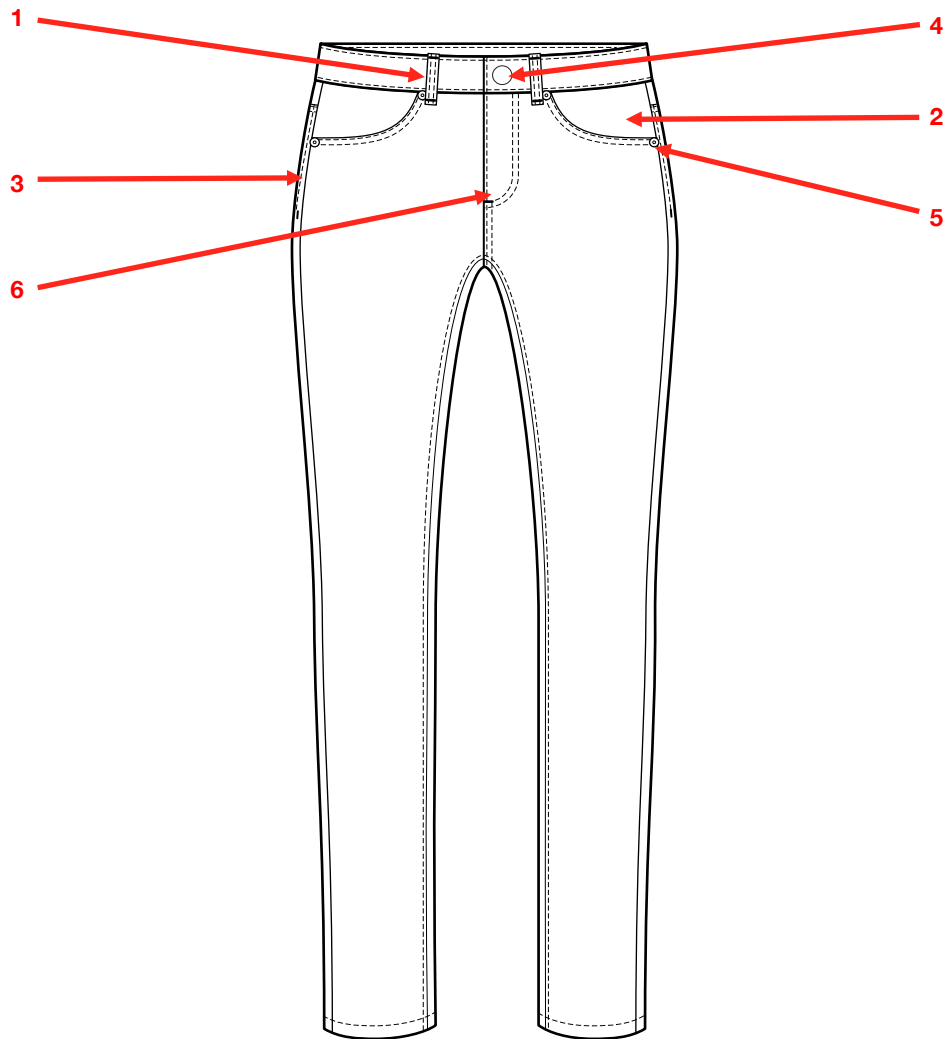
MAIN FABRIC: DENIM

STYLE NAME: SKINNY JEAN

STYLE #: 1234

SIZE RANGE & [SAMPLE SIZE]: 26 27 28 [29] 30 31 32

FRONT



- 1. 2 BELT LOOPS
- 2. 2 SIDE POCKETS (SEE PAGE 4 FOR INTERNAL VIEWS)
- 3. TOPSTICH FINISHING WITH BAR TACKS AT HIP
- 4. WAISTBAND WITH BUTTON (SEE PAGE 7) & KEY BUTTONHOLE
- 5. 4 X RIVETS AT CORNERS OF POCKET OPENINGS (SEE PAGE 7)
- 6. ZIP FLY, WITH BAR TACK AT BASE (SEE PAGE 4 FOR INTERNAL VIEWS)
- 7.
- 8.
- 9.
- 10.
- 11.
- 12.

BRAND: X BRAND NAME

DESIGNER: X NAME

DESCRIPTION: WOMENS JEAN

SEASON: F/W19

DATE: 2018.01.01

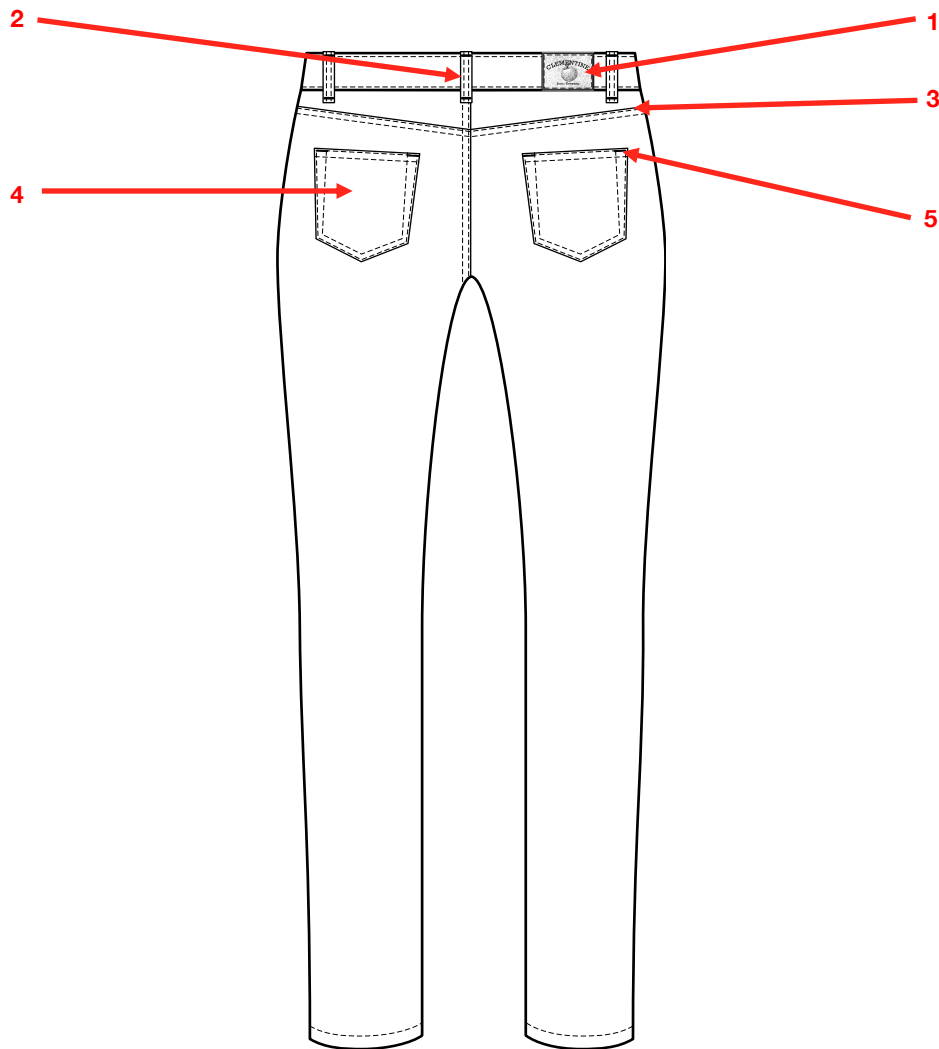
MAIN FABRIC: DENIM

STYLE NAME: SKINNY JEAN

STYLE #: 1234

SIZE RANGE & [SAMPLE SIZE]: 26 27 28 [29] 30 31 32

BACK



- 1. BRANDED LEATHER PATCH (SEE ARTWORK FILE)
PLACE 1/2" FROM RIGHT BELT LOOP. SEW IN 1/8" ROUND EDGES
- 2. 3 BELT LOOPS
- 3. BACK YOKE
- 4. 2 PATCH POCKETS, TOPSTITCH SPACING AT BASE = 1/4"
TOPSTITCH SPACING AT OPENING = 1/2"
- 5. 2 BAR TACKS AT EACH POCKET OPENING

BRAND: X BRAND NAME

DESIGNER: X NAME

DESCRIPTION: WOMENS JEAN

SEASON: F/W19

DATE: 2018.01.01

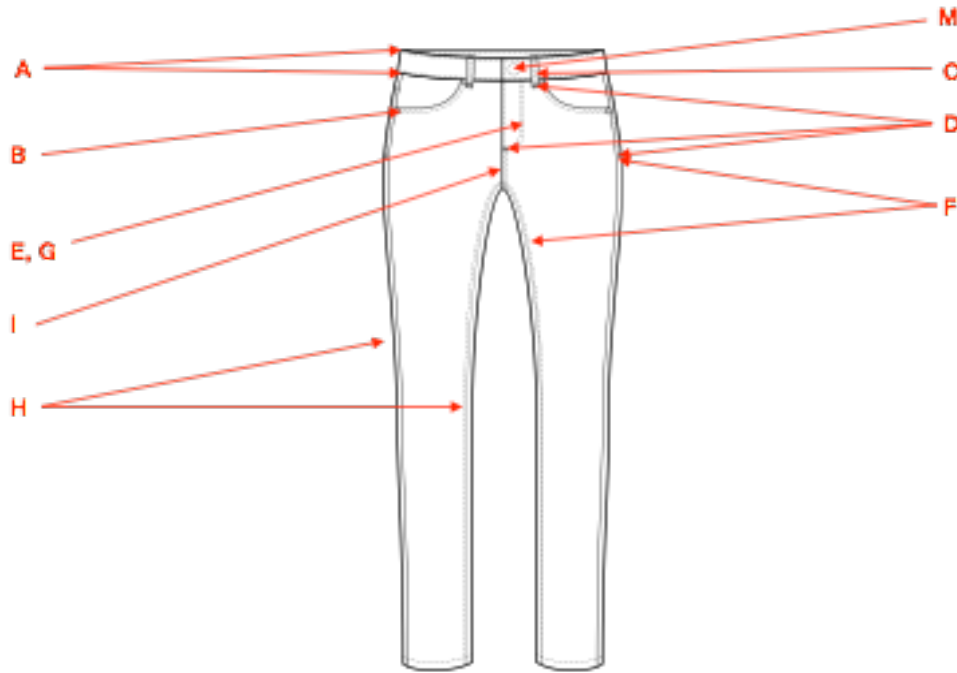
MAIN FABRIC: DENIM

STYLE NAME: SKINNY JEAN

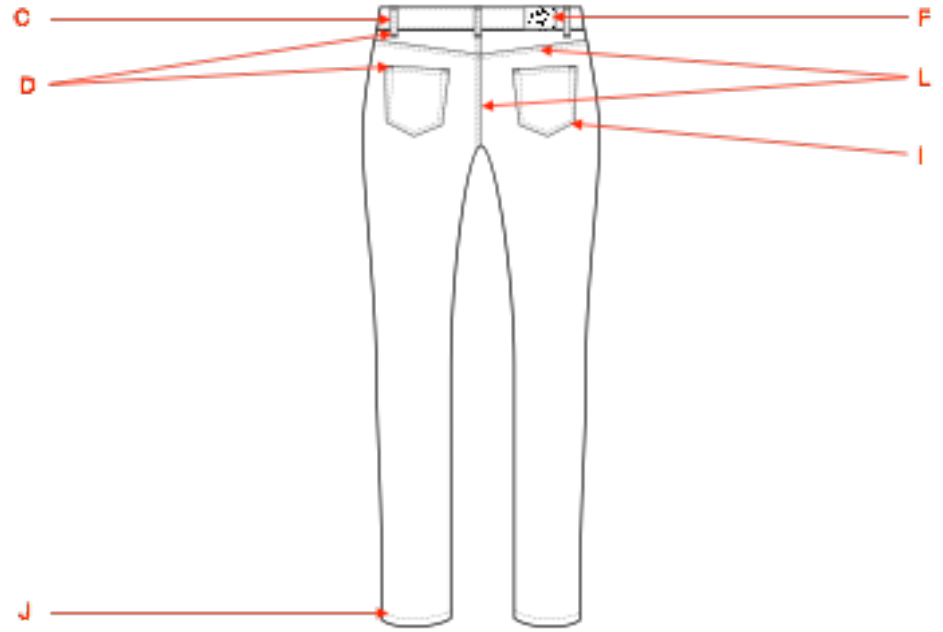
STYLE #: 1234

SIZE RANGE & [SAMPLE SIZE]: 26 27 28 [29] 30 31 32

FRONT



BACK



#	OPERATION	STITCH	WIDTH	SPI	SEAM	SEAM ALW.
A	WASTBAND	401 - CHAINSTITCH	1 5/8"	8 +/- 1	LSg 7.57.01 2 PC WBAND	3/8"
B	POCKET OPENINGS, FRONT POCKET BAG FACING	401 - CHAINSTITCH (2 NDL)	1/4"	8 +/- 1	SSa 1.01 GENERAL SEAM	3/8"
C	BELT LOOPS	406 - 2 NDL COVERSTITCH	3/8"	8 +/- 1	EFh BELT LOOPS	1/4"
D	CORNERS OF BACK POCKETS	304 - BARTACK	1/8"	28 +/- 1	N/A	1/4"
E	FLY FRONT & BACK, FRONT POCKET FACING BOTTOM EDGE	504 - 3 THREAD OVEREDGE	1/4"	10 +/- 1	EFd 6.01.01 SERGING	N/A
F	INSEAM, TOPSTITCH AT HIPS, BACK WBAND PATCH	301 - LOCKSTITCH	N/A	8 +/- 1	TOPSTITCH	N/A
G	FLY	301 - LOCKSTITCH (2 NDL)	1/4"	8 +/- 1	TOPSTITCH	N/A
H	INSEAM & OUTSEAM	516 - 5 THREAD SAFETYST	1/4"	8 +/- 1	SSa 1.01 GENERAL SEAM	3/8"
I	BACK POCKETS	301 - LOCKSTITCH	SEE P2	8 +/- 1	LSd 5.31.01 PATCH POCKET	3/8-5/8"
J	LEG OPENINGS	401 - CHAINSTITCH (2 NDL)	1/4"	8 +/- 1	EFb 6.03.01 CLEAN HEM	1/2"
K	POCKET BAG SIDE SEAMS	301 - LOCKSTITCH	1/4"	8 +/- 1	SSae FRENCH SEAMING	1/2"
M	RISE, YOKE	401 - CHAINSTITCH (2 NDL)	1/4"	8 +/- 1	LSc 2.04.06 ffELLED SEAM	1/4"

© COPYRIGHT OF XXXX 2020. THIS DESIGN IS THE PROPERTY OF XXXX.

BRAND: X BRAND NAME

DESIGNER: X NAME

DESCRIPTION: WOMENS JEAN

SEASON: F/W19

DATE: 2018.01.01

MAIN FABRIC: DENIM

STYLE NAME: SKINNY JEAN

STYLE #: 1234

SIZE RANGE & [SAMPLE SIZE]: 26 27 28 [29] 30 31 32



DENIM:	BLACK	INDIGO	DARK WASH	MID WASH	LIGHT WASH
WASH:	NONE	LIGHT STONEWASH, HAND SANDING WITH POTASSIUM & WHISKERING	LIGHT STONEWASH, HAND SANDING WITH POTASSIUM & WHISKERING	LIGHT STONEWASH, HAND SANDING WITH POTASSIUM & WHISKERING	LIGHT STONEWASH, HAND SANDING WITH POTASSIUM & WHISKERING
THREAD:	NONE	INDIGO	GOLDEN YELLOW	PALE BLUE/GRAY	PALE BLUE/GRAY

THE COLORS SHOWN HERE ARE SIMULATIONS, WHICH MAY NOT MATCH ANY COLOR STANDARDS.
PLEASE USE THE CORRESPONDING PANTONE PUBLICATIONS OR PHYSICAL SWATCHES FOR ACCURATE COLOR.

© COPYRIGHT OF XXXX 2020. THIS DESIGN IS THE PROPERTY OF XXXX.

BRAND: X BRAND NAME

DESIGNER: X NAME

DESCRIPTION: WOMENS JEAN

SEASON: F/W19

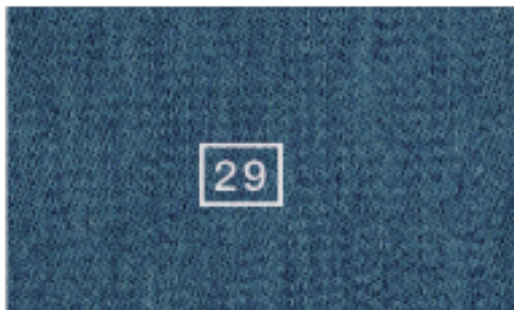
DATE: 2018.01.01

MAIN FABRIC: DENIM

STYLE NAME: SKINNY JEAN

STYLE #: 1234

SIZE RANGE & [SAMPLE SIZE]: 26 27 28 [29] 30 31 32



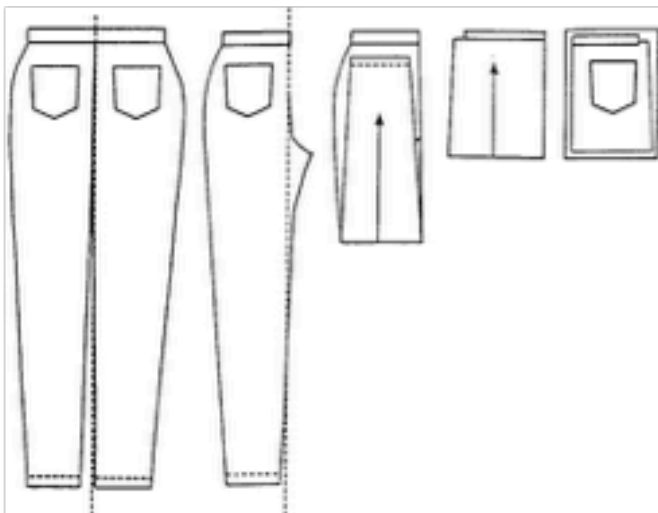
BACK WAIST BRAND LABEL

TYPE: SILKSCREEN PRINT
DIMENSIONS: 4.75" WIDE X 1" HIGH
PLACEMENT: AT CB, MIDDLE OF WAISTBAND
COLOR: WHITE



CARE LABEL

TYPE: PLEASE USE STOCK
PLACEMENT: AT SS 4" FROM W-BAND



PACKAGING

FOLD INSTRUCTIONS:

1. FOLD IN HALF
2. IF NEEDED, FOLD BACK RISE OVER AND ALIGN PANT TO FORM A STRAIGHT LINE
3. FOLD THE LEGS UP TO THE TOP OF THE BACK POCKET
4. FOLD IN HALF AGAIN
5. PLACE THE FOLDED GARMENT INTO THE CORRECT POLYBAG SIZE AND SEAL

PACKAGING INFO:

POLYBAG: POLYPROPYLENE. SEAL THE POLYBAG WITH CLEAR TAPE OR HEAT SEAL.
POLYBAG MARKINGS: " WARNING: TO AVOID DANGER OF SUFFOCATION, KEEP THIS PLASTIC BAG AWAY FROM BABIES AND CHILDREN. DO NOT USE THIS BAG IN CRIBS, BEDS, CARRIAGES OR PLAY PENS. THIS BAG IS NOT A TOY "
CARTON: 7 PLY
CARTON MARKINGS: BRAND NAME, STYLE#, CARTON#, NUMBER OF CARTONS

*** PLEASE USE THE SEPARATE GRAPHICS FILES SENT FOR THE ACTUAL LABEL ARTWORK

© COPYRIGHT OF XXXX 2020. THIS DESIGN IS THE PROPERTY OF XXXX.

BRAND: X BRAND NAME

DESIGNER: X NAME

DESCRIPTION: WOMENS JEAN

SEASON: F/W19

DATE: 2018.01.01

MAIN FABRIC: DENIM

STYLE NAME: SKINNY JEAN

STYLE #: 1234

SIZE RANGE & [SAMPLE SIZE]: 26 27 28 [29] 30 31 32

POM	MEASUREMENT	26	27	28	29	30	31	32	TOL + / -
A	WAISTBAND DEPTH	1 5/8	1 5/8	1 5/8	1 5/8	1 5/8	1 5/8	1 5/8	1/8
B	WAISTBAND WIDTH ***	26	27	28	29	30	31	32 1/2	1/2
C	HIGH HIP WIDTH (3" FROM WBAND SEAM) ***	29	30	31	32	33	34	35 1/2	1/2
D	LOW HIP WIDTH (7" FROM WBAND SEAM) ***	31	32	33	34	35	36	37 1/2	1/2
E	HIP SEAT WIDTH (2" FROM CROTCH) ***	31 1/2	32 1/2	33 1/2	34 1/2	35 1/2	36 1/2	38	1/2
F	BACK YOKE DEPTH AT CB	1	1	1	1	1	1	1	1/8
G	BACK YOKE DEPTH AT SS	1/2	1/2	1/2	1/2	1/2	1/2	1/2	0
H	INSEAM	32	32	32	32	32	32	32	3/8
I	OUTSEAM	38 3/4	39	39 1/4	39 1/2	39 3/4	40	40 3/8	3/8
J	FRONT RISE	6 1/8	6 1/2	6 7/8	7 1/4	7 5/8	8	8 1/2	1/4
K	BACK RISE	10 5/8	11	11 3/8	11 3/4	12 1/8	12 1/2	13	1/4
L	THIGH WIDTH (1" FROM CROTCH) ***	17 1/4	18	18 3/4	19 1/2	20 1/2	21 1/2	23	3/8
M	KNEE WIDTH (13" FROM CROTCH) ***	12	12 1/2	13	13 1/2	14 1/4	15	16	1/4
N	LEG OPENING WIDTH ***	10 1/4	10 1/2	10 3/4	11	11 3/8	11 3/4	12 1/8	1/4
O	FLY LENGTH	5	5	5	5	5	5	5	1/8
P	FLY WIDTH	1 1/2	1 1/2	1 1/2	1 1/2	1 1/2	1 1/2	1 1/2	1/8
Q	BACK POCKET HEIGHT (AT CENTER)	5 1/2	5 1/2	5 1/2	5 1/2	5 1/2	5 1/2	5 1/2	1/8
R	BACK POCKET HEIGHT (AT SIDE)	4 3/4	4 3/4	4 3/4	4 3/4	4 3/4	4 3/4	4 3/4	1/8
S	BACK POCKET WIDTH (AT OPENING)	5 3/8	5 3/8	5 3/8	5 3/8	5 3/8	5 3/8	5 3/8	1/8
T	BACK POCKET WIDTH (AT BASE)	4 1/4	4 1/4	4 1/4	4 1/4	4 1/4	4 1/4	4 1/4	1/8
U	B POCKET TO W-BAND (AT INNER CORNER)	2 1/2	2 1/2	2 1/2	2 1/2	2 1/2	2 1/2	2 1/2	1/8
V	B POCKET TO CB (AT OPENING)	1	1 1/8	1 1/4	1 3/8	1 1/2	1 5/8	1 7/8	1/8
W	BELT LOOP LENGTH	2 3/8	2 3/8	2 3/8	2 3/8	2 3/8	2 3/8	2 3/8	1/8
X	BELT LOOP WIDTH	1/2	1/2	1/2	1/2	1/2	1/2	1/2	0
Y	FRONT POCKET OPENING WIDTH	4 1/4	4 1/4	4 1/4	4 1/4	4 1/4	4 1/4	4 1/4	1/8
Z	FRONT POCKET OPENING HEIGHT	2 3/8	2 3/8	2 3/8	2 3/8	2 3/8	2 3/8	2 3/8	1/8
AA	FRONT POCKET FACING HEIGHT	4 1/4	4 1/4	4 1/4	4 1/4	4 1/4	4 1/4	4 1/4	1/8
BB	FRONT POCKET FACING WIDTH	4 3/4	4 3/4	4 3/4	4 3/4	4 3/4	4 3/4	4 3/4	1/8

ALL ABOVE MEASUREMENTS ARE IN INCHES AND TAKEN FLAT (EXCEPT FOR ***) ~ IT IS RECOMMENDED THAT ALL SIZES ARE SAMPLED BEFORE PRODUCTION

PRE PRODUCTION COMMENTS:

BRAND: X BRAND NAME

DESIGNER: X NAME

DESCRIPTION: WOMENS JEAN

SEASON: F/W19

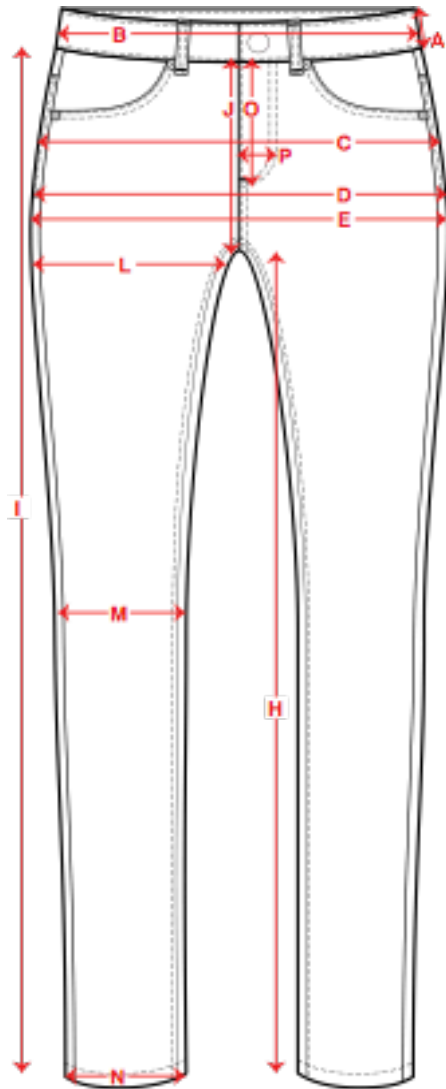
DATE: 2018.01.01

MAIN FABRIC: DENIM

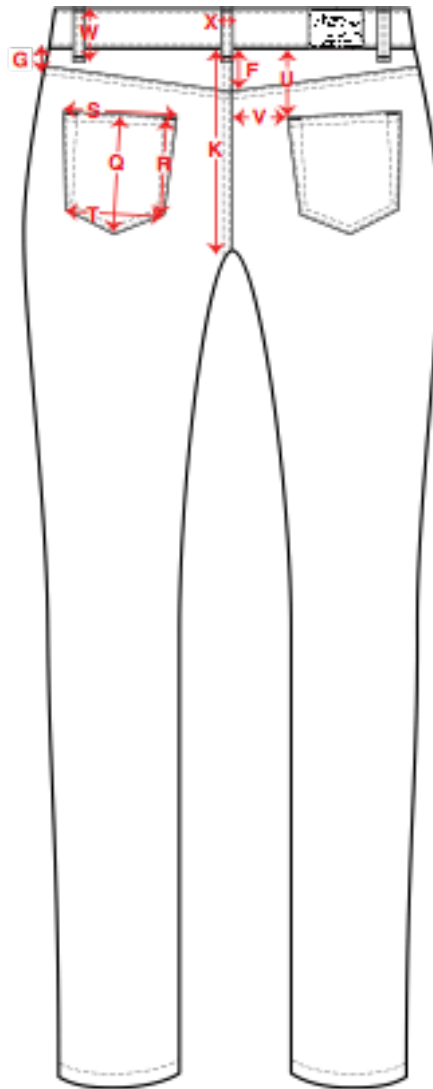
STYLE NAME: SKINNY JEAN

STYLE #: 1234

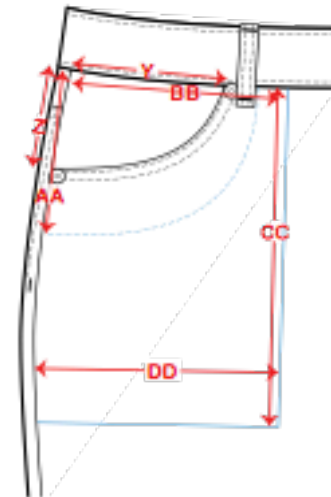
SIZE RANGE & [SAMPLE SIZE]: 26 27 28 [29] 30 31 32



FRONT



BACK



FRONT POCKETS

BRAND: X BRAND NAME

DESIGNER: X NAME

DESCRIPTION: WOMENS JEAN

SEASON: F/W19

DATE: 2018.01.01

MAIN FABRIC: DENIM

STYLE NAME: SKINNY JEAN

STYLE #: 1234

SIZE RANGE & [SAMPLE SIZE]: 26 27 28 [29] 30 31 32

POM	MEASUREMENT	ORIGINAL	TOL + / -	ACTUAL	DIFFERENCE	NOTES	REVISED SPEC
A	WAISTBAND DEPTH	1 5/8	1/8	1 1/2	- 1/8	OK	1 5/8
B	WAISTBAND WIDTH ***	29	1/2	28	-1	RETURN TO SPEC	29
C	HIGH HIP WIDTH (3" FROM WBAND SEAM) *	32	1/2	32	0	OK	32
D	LOW HIP WIDTH (7" FROM WBAND SEAM) **	34	1/2	34 1/2	1/2	OK	34
E	HIP SEAT WIDTH (2" FROM CROTCH) ***	34 1/2	1/2	34 1/2	0	OK	34 1/2
F	BACK YOKE DEPTH AT CB	1	1/8	1 1/4	1/4	RETURN TO SPEC	1
G	BACK YOKE DEPTH AT SS	1/2	0	1/2	0	CHANGE	3/4
H	INSEAM	32	3/8	32	0	OK	32
I	OUTSEAM	39 1/2	3/8	39 1/2	0	OK	39 1/2
J	FRONT RISE	7 1/4	1/4	7	- 1/4	OK	7 1/4
K	BACK RISE	11 3/4	1/4	12	1/4	OK	11 3/4
L	THIGH WIDTH (1" FROM CROTCH) ***	19 1/2	3/8	19 1/2	0	OK	19 1/2
M	KNEE WIDTH (13" FROM CROTCH) ***	13 1/2	1/4	13 1/2	0	OK	13 1/2
N	LEG OPENING WIDTH ***	11	1/4	11	0	CHANGE	11 1/4
O	FLY LENGTH	5	1/8	5 1/2	1/2	RETURN TO SPEC	5
P	FLY WIDTH	1 1/2	1/8	1 1/2	0	OK	1 1/2
Q	BACK POCKET HEIGHT (AT CENTER)	5 1/2	1/8	5 1/2	0	OK	5 1/2
R	BACK POCKET HEIGHT (AT SIDE)	4 3/4	1/8	5	1/4	RETURN TO SPEC	4 3/4
S	BACK POCKET WIDTH (AT OPENING)	5 3/8	1/8	5 3/8	0	OK	5 3/8
T	BACK POCKET WIDTH (AT BASE)	4 1/4	1/8	4	- 1/4	RETURN TO SPEC	4 1/4
U	B POCKET TO W-BAND (AT INNER CORNER)	2 1/2	1/8	2 1/2	0	CHANGE	2 3/4
V	B POCKET TO CB (AT OPENING)	1 3/8	1/8	1 3/8	0	OK	1 3/8
W	BELT LOOP LENGTH	2 3/8	1/8	2 3/8	0	OK	2 3/8
X	BELT LOOP WIDTH	1/2	0	1/2	0	OK	1/2
Y	FRONT POCKET OPENING WIDTH	4 1/4	1/8	4 3/4	1/2	RETURN TO SPEC	4 1/4
Z	FRONT POCKET OPENING HEIGHT	2 3/8	1/8	2 3/8	0	OK	2 3/8
AA	FRONT POCKET FACING HEIGHT	4 1/4	1/8	4 1/4	0	OK	4 1/4
BB	FRONT POCKET FACING WIDTH	4 3/4	1/8	5 1/4	1/2	RETURN TO SPEC	4 3/4

COMMENTS: